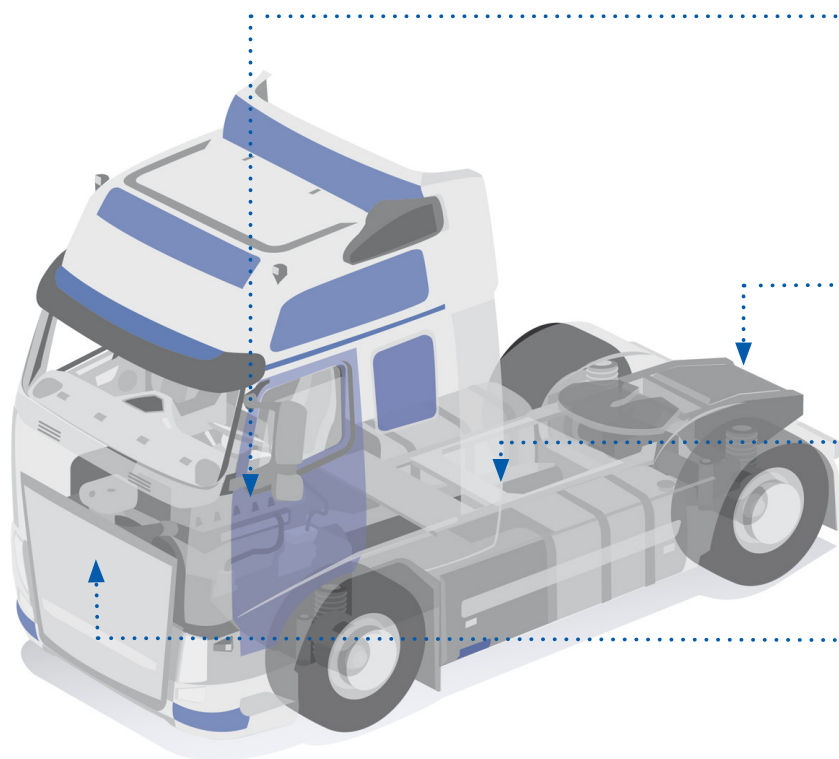


# Yleiskatsaus voiteluaineet Volvo kuorma-autot



## MOOTTORI

TITAN CARGO MAXX SAE 10W-40	Volvo VDS 4
TITAN CARGO MAXX SAE 5W-30	
TITAN CARGO SAE 10W-30	Volvo VDS 4,5
TITAN CARGO SAE 15W-40	

## AKSELISTO

TITAN CYTRAC TD SAE 75W-90	Volvo 97312
----------------------------	-------------

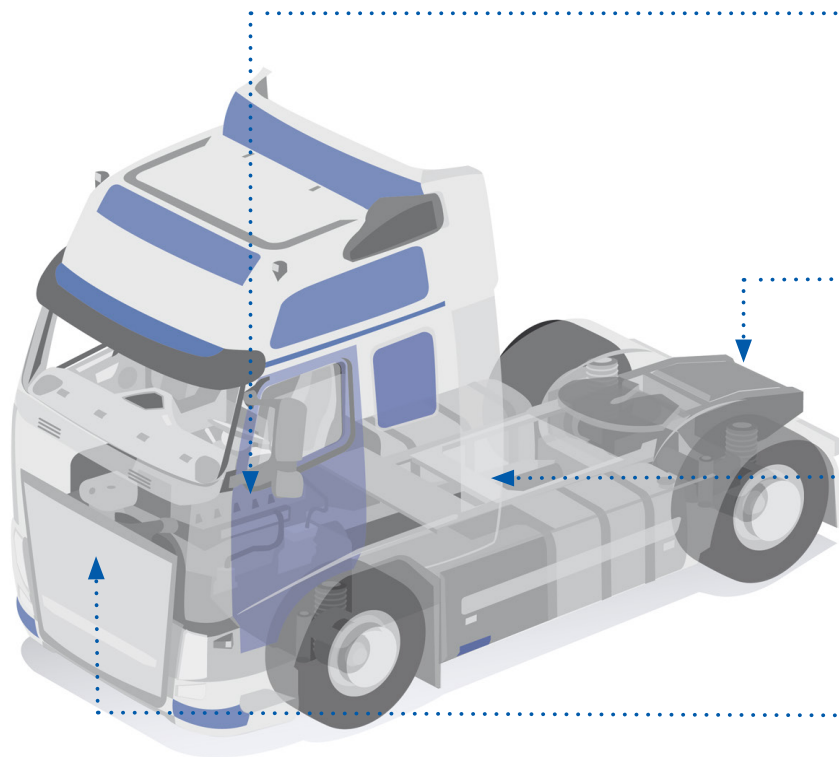
## VAIHEISTO

TITAN CYTRAC MAT SAE 75W-80	Volvo 97307
TITAN CYTRAC ULTRA SYNTH SAE 75W-80	Volvo 97307

## PAKKASNESTE

MAINTAIN FRICOFIN LL-YF	Volvo VCS
-------------------------	-----------

# Yleiskatsaus voiteluaineet Mercedes kuorma-autot



## MOOTTORI

TITAN CARGO MAXX SAE 10W-40	MB 228.51
TITAN CARGO MAXX SAE 5W-30	
TITAN CARGO SAE 10W-30	MB 228.31
TITAN CARGO SAE 15W-40	

## AKSELISTO

TITAN CYTRAC TD SAE 75W-90	MB 235.8
TITAN GEAR HYP LD SAE 80W-90	MB 235.20

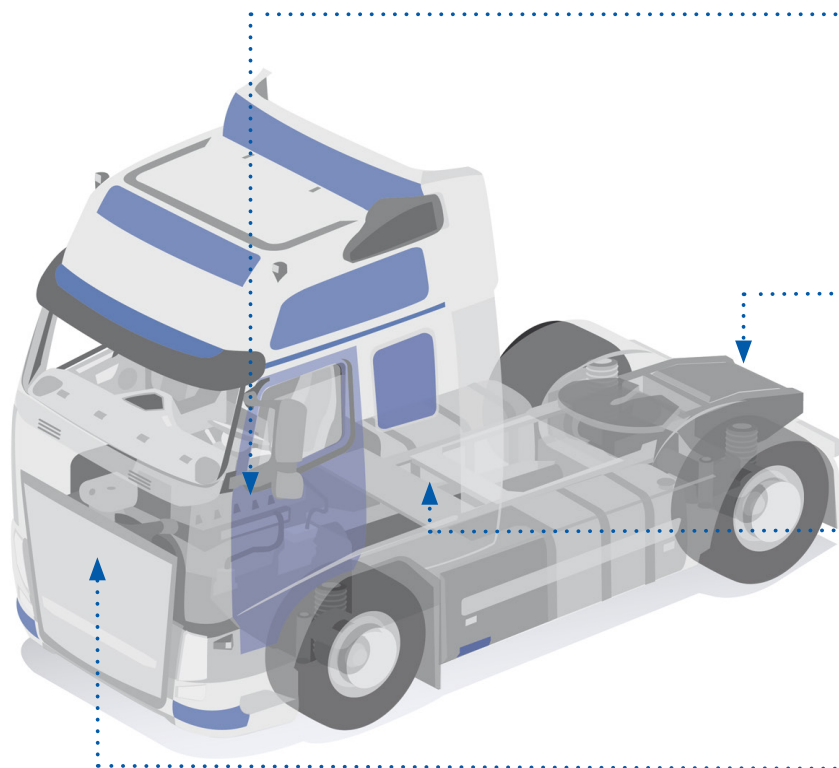
## VAIHEISTO

TITAN CYTRAC MB SYNTH SAE 75W-90	MB 235.11
TITAN GEAR MP SAE 80W	MB 235.1
TITAN CYTRAC FE SYNT SAE 75W-85	MB 235.16

## PAKKASNESTE

MAINTAIN FRICOFIN DP	MB 325.5/325.6
----------------------	----------------

# Yleiskatsaus voiteluaineet MAN kuorma-autot



## MOOTTORI

<b>TITAN CARGO MAXX SAE 5W-30</b>	<b>MAN M 3677</b>
<b>TITAN CARGO MAXX SAE 10W-40</b>	<b>MAN M 3477</b>
<b>TITAN CARGO SAE 10W-30</b>	<b>MAN M 3575-1</b>
<b>TITAN CARGO SAE 15W-40</b>	

## AKSELISTO

<b>TITAN CYTRAC TD SAE 75W-80</b>	<b>MAN 342 S1</b>
<b>TITAN SUPERGEAR SAE 80W-90</b>	<b>MAN 342 M2</b>
<b>TITAN GEAR HYP LD SAE 80W-90</b>	<b>MAN 324 M3</b>

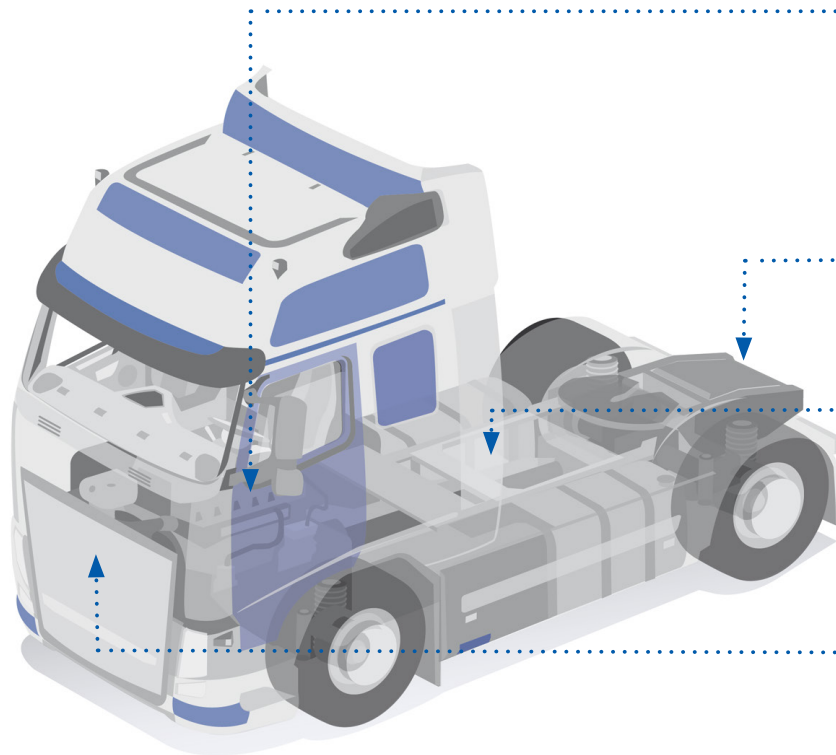
## VAIHEISTO

<b>TITAN CYTRAC ULTRA SYNTH SAE 75W-80</b>	<b>MAN 341 Z5</b>
<b>TITAN CYTRAC MAT SAE 75W-80</b>	<b>MAN 341 Z4</b>
<b>TITAN CYTRAC MB SYNTH SAE 75W-80</b>	<b>MAN 341 MB</b>

## PAKKASNESTE

<b>MAINTAIN FRICOFIN DP</b>	<b>MAN SI-OAT</b>
-----------------------------	-------------------

# Yleiskatsaus voiteluaineet Scania kuorma-autot



## MOOTTORI

<b>TITAN CARGO MAXX</b> SAE 5W-30	<b>LDF-4</b>
<b>TITAN CARGO LD 3</b> SAE 10W-40	<b>LDF 3</b>
<b>TITAN CARGO SL</b> SAE 5W-30	<b>LDF 3</b>

## AKSELISTO

<b>TITAN SUPERGEAR MC</b> SAE 80W-140	<b>STO 1:0</b>
<b>TITAN GEARWAY S5</b> SAE 75W-140	<b>STO 1:0</b>

## VAIHEISTO

<b>TITAN CYTRAC TD</b> SAE 75W-90	<b>STO 1:0, STO 2:0A FS</b>
<b>TITAN GEAR HYP LD</b> SAE 80W-90	<b>STO 1:0</b>

## PAKKASNESTE

<b>MAINTAIN FRICOFIN DP</b>
-----------------------------